



TECHNICAL GUIDE ADDENDUM

TOUGH GUN™ ThruArm™ G2 Series

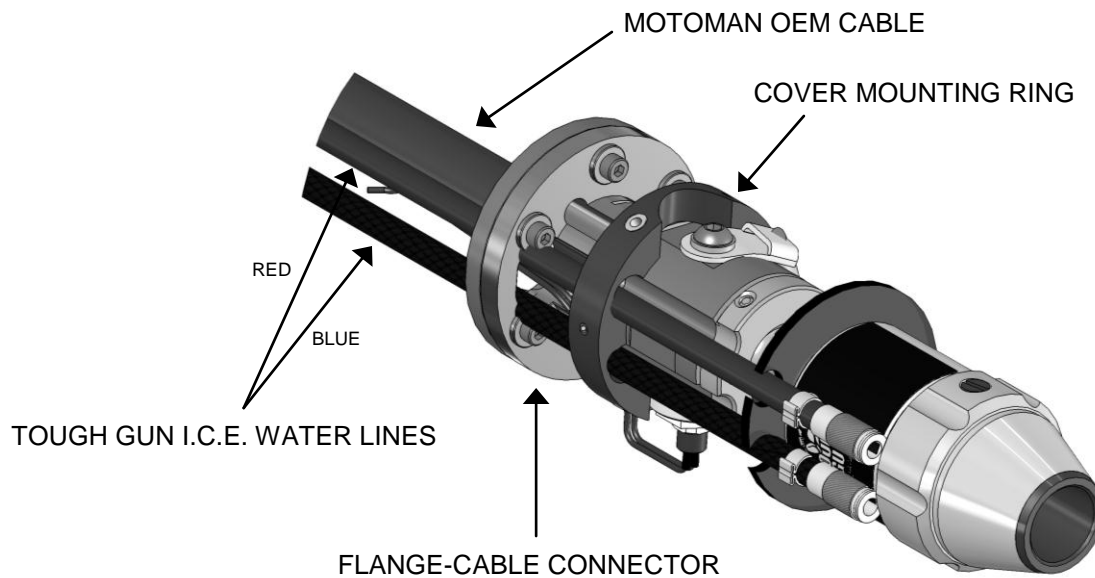
TOUGH GUN I.C.E.™ Gooseneck Installation

for Motoman Robots

TOUGH GUN I.C.E. INSTALLATION

NOTE: Tregaskiss LSR Unicable not available for TOUGH GUN I.C.E Gun assemblies. Motoman OEM unicables MUST be used for TOUGH GUN I.C.E. installations.

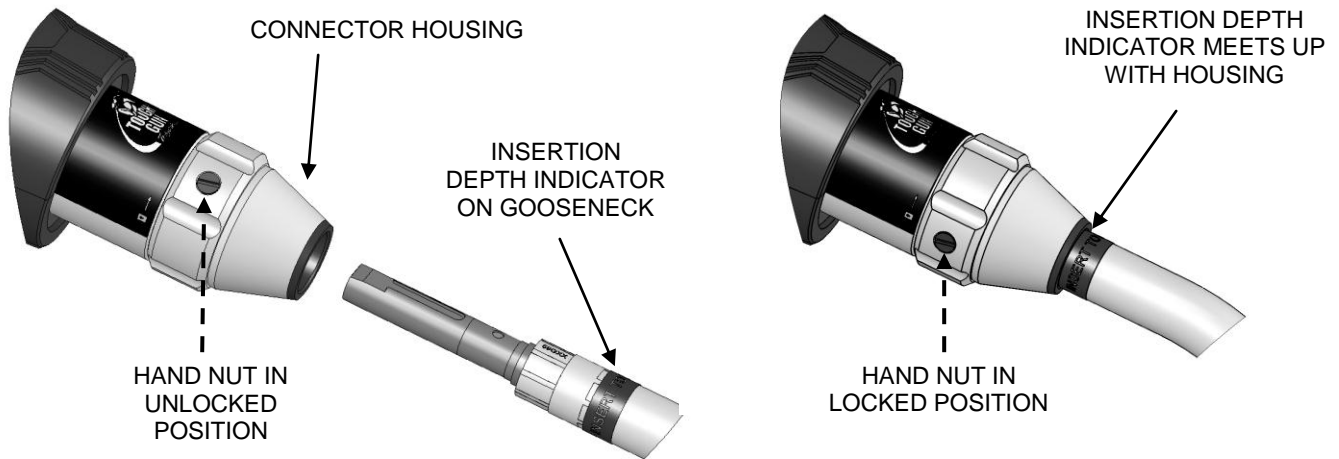
- Pull the red and blue water lines through the Flange-Cable Connector and Cover Mounting Ring as shown.



INSTALLING GOOSENECK / GOOSENECK REPLACEMENT

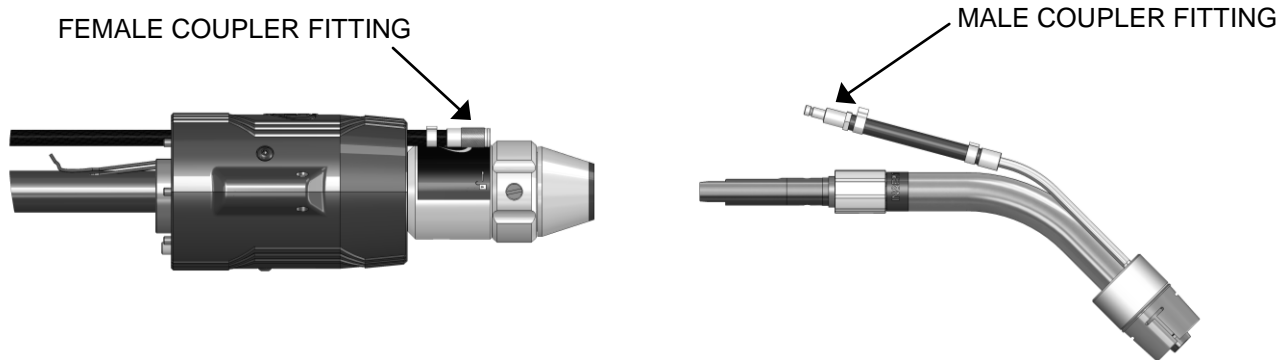
IMPORTANT! Remove consumables (i.e. retaining head, nozzle and contact tip) before installing gooseneck. Failure to do so will result in improper installation.

- Twist the hand nut clockwise to UNLOCK. **IMPORTANT:** To prevent damage to the gooseneck, ensure that the hand nut is always in the UNLOCK position when inserting a gooseneck.
- Insert the gooseneck into the connector housing. **IMPORTANT:** The gooseneck is fully inserted only when the gooseneck bottoms out and the insertion depth guide (INSERT TO HERE) on the gooseneck meets up with the connector housing.
- Release the hand nut allowing it to return to the LOCKED position. **IMPORTANT:** Do not release the hand nut unless the gooseneck has been fully inserted or damage to the gooseneck may result.



TOUGH GUN I.C.E. GOOSENECK INSTALLATION

- Remove and install gooseneck (as per instructions above).
- Connect gooseneck male coupler fitting to water line female coupler fitting.



FOR ADDITIONAL TECHNICAL DATA:

For additional Technical Data, including installation, maintenance, gooseneck dimensions, options, accessories and troubleshooting, please visit the Technical Support section of the Tregaskiss website at www.tregaskiss.com.



Canada & U.S.A. Phone: 1-877-737-3111
Fax: 1-877-737-2111

International Phone: +1-519-737-3000
Fax: +1-519-737-2111

www.tregaskiss.com

TREGASKISS is an industry leader in the development and manufacture of semi-automatic and robotic MIG welding guns and robotic peripherals.

TREGASKISS™, TOUGH GUN™, TOUGH LOCK™, and other names are trademarks of Tregaskiss, a division of Illinois Tool Works Inc.

M085 02/12